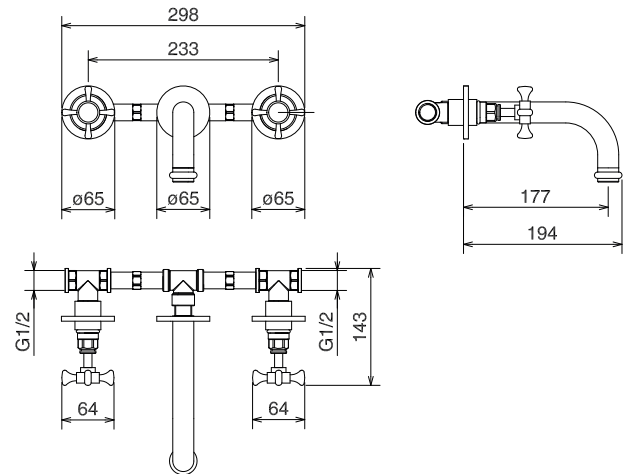


MALLARD



scheda tecnica

technical data

25200

Lavabo incasso a muro
Wall mounted lavatory set

Chrome - Polished Nickel

- Lavabo a maniglia con angolo rotazione di 90° dx
- Vitone GN90 1/2 con dischi ceramici (certificato)
- A richiesta vitone tipo meccanico
- Senza scarico in ottone
- Attacchi all' impianto idrico G1/2
- Rosoni scorrevoli
- Areatore HoneyComb F24x1B
- Completamente in ottone
- Garanzia 5 anni

- Wash basin with handle with rotary angle 90° dx
- GN90 1/2 screw with ceramics discs (certificate)
- Traditional mechanism available to request
- Without brass pop-up waste
- Water supply connections G1/2
- Rosettes sliding
- Areator HoneyComb F24x1B
- Completely brass made
- 5 years guarantee

- Riferimenti normative:
- EN 200
- EN 248

- Reference standards:
- EN 200 - EN32
- EN 248

- Forature rosoni (mm): min 30 max 45
-

- Drilling rosettes (mm): min 30 max 45
-

 Grange Design

Unit A4, Chaucer Business Park
Watery Lane, Kemsing
Kent, TN15 6PW
(t) 01732 760079

www.grangedesign.com
info@grangedesign.com

 MADE IN ITALY