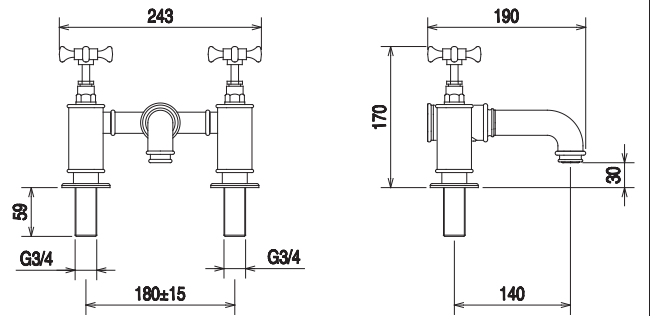


MALLARD



25025

Bordo vasca esterno solo riempivasca
Deck mounted external bath filler

Cromo, Cromo Oro, Oro, Ramato, Bronzo, Nikel lucido
Chrome, Chrome Gold, Gold, Brushed copper, Bronzed, Polished

- Rubinetto con comando a maniglia
- Prodotto completamente in ottone
- Vitone G3/4 con dischi ceramici
- Flusso ad alta portata
- A richiesta vitone tipo meccanico
- Interasse attacchi 180 mm
- Attacchi impianto idrico G3/4
- Senza deviatore
- Garanzia 5 anni

- Bath mixer with handle
- Completely in brass
- G3/4 screw with ceramic discs
- High flow operation
- Traditional mechanism available to request
- Water supply connections distance 180 mm
- Water supply connections G3/4
- Without diverter
- 5 years guarantee

- Portata 74 litri/min (3 bar) bocca

- Flow rate 74 liters/min (3bar) bath

- Riferimenti normative:
- EN 200 - EN 232
- EN 248

- Reference standards:
- EN 200 - EN 232
- EN 248

- Foro piano: max.30 mm

- Plane Hole diameter: max.30 mm



Unit A4, Chaucer Business Park
Watery Lane, Kemsing
Kent, TN15 6PW
(t) 01732 760079

www.grangedesign.com
info@grangedesign.com

