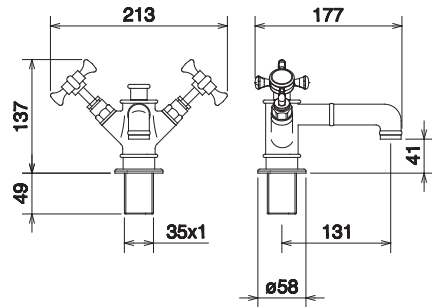


MALLARD



scheda tecnica

technical data

25601

Monoforo per lavabo con scarico
Two handle mono basin Mixer

Chrome - Polished Nickel

- Lavabo a maniglia con angolo rotazione di 90°
- Bocca fissa con areatore Cache' Neoperl 18x1.5 TJ - Neoperl
- Vitone GN90 1/2 con dischi ceramici (certificato)
- A richiesta vitone tipo meccanico
- Scarico con piletta in ottone
- Attacchi all' impianto idrico G3/8 cm40
- Fissaggio con gambo 35x1
- Completamente in ottone
- Garanzia 5 anni

- Lavatory mixer with handle with rotary angle 90°
- Fixed spout with areator Cache' Neoperl 18x1.5 TJ - Neoperl
- GN90 1/2 screw with ceramics discs (certificate)
- Traditional mechanism available to request
- Pop-up waste with brass body
- Water supply connections G1/2 cm40
- Fixed with 35x1 pedestal
- Completely brass made
- 5 years guarantee

- Riferimenti normative:
- EN 200 - EN32
- EN 248

- Reference standards:
- EN 200 - EN32
- EN 248

- Forature piano (mm):
- min 35 max 37

- Drilling plan (mm):
- min 35 max 37



Unit A4, Chaucer Business Park
Watery Lane, Kemsing
Kent, TN15 6PW
(t) 01732 760079

www.grangedesign.com
info@grangedesign.com

